



Crystal Clean®

MODEL 2703

30g Heated Drum Mount Unit

Operating Manual



INTRODUCTION

GENERAL INSTRUCTIONS



READ AND UNDERSTAND ALL LABELS, MSDS, AND THIS INSTRUCTION MANUAL BEFORE USE.

The Industrial Aqueous Parts Cleaner is an economical, safe, and innovative system designed to clean parts, using an aqueous based solution. Aqueous solutions, when used to clean grease and oil, must be disposed of properly. Consult your local environmental management agency for additional guidance and other potentially hazardous materials compliance requirements.

Install your parts cleaner on a flat, level surface in an area provided with adequate ventilation. Avoid repeated or prolonged breathing of vapors. Do **NOT** use compressed air to dry parts as this may cause a high concentration of vapors in the immediate area. Local exhaust ventilation should be used in areas of high vapor concentration. Provisions for determining and maintaining adequate ventilation are the responsibility of the operator.

Make sure the parts cleaner is connected to a properly grounded power source. Check serial plate for power requirements.

Do **not** allow parts cleaner to operate unattended.

Complete safety in use is dependent upon proper use and handling of the parts cleaner in your workplace.

It is important that you follow the instructions provided in this manual. If you fail to read, understand, and follow all of the procedures in this manual, you may cause or suffer personal injury.

DO NOT OPERATE ELECTRICAL EQUIPMENT INSIDE OF PARTS CLEANER.



CAUTION

USE ONLY WATER-BASED CLEANING SOLUTIONS DO NOT USE MINERAL SPIRITS

This equipment is designed for use only with Aqueous Based Solutions. Do **NOT** add any other chemicals to the cleaning agent including, but not limited to, kerosene, fuel oil, gasoline, or chlorinated solutions. The use of any other solutions could potentially cause a hazardous condition.



CAUTION

**DO NOT ALLOW HEATER TO OPERATE UNATTENDED FOR LONG PERIODS,
SUCH AS EVENINGS OR WEEKENDS.**

Avoid contact with eyes or skin. Wear protective eyewear, gloves, and clothing. Operation should be conducted in a manner, which prevents splashing, or spillage. Any spills should be promptly and properly cleaned up. Soak up all spills with absorbent material. Remove and dispose of all soaked material in accordance with regulatory requirements.

- This unit is **NOT** intended for outdoor operation.
- Do **NOT** leave solution-soaked rags in parts cleaner or in uncovered containers.
- Do **NOT** obstruct the cover. It is designed to close automatically in the event of a fire. The safety link and cover closing mechanism must be intact. Do **NOT** substitute with any other type of cover positioning device. Do **NOT** leave large objects in the parts cleaner or hang anything on the cover that could prevent the cover from closing in the event of a fire.
- Do **NOT** place heavy objects on edges or front of sink. Although this parts cleaner is designed to be stable, uneven weight distribution could cause a hazardous condition.
- Do **NOT** contaminate cleaning solutions with gasoline, alcohol or flammable liquids.
- When cleaning carburetors or other fuel supplying components: remove all gasoline into a proper disposal container before placing the component into the parts cleaner.
- Do **NOT** spray aerosols into or around this machine. Install the equipment in an area away from heat, sparks, and open flame. Never put hot parts into the solution.
- Do **NOT** use compressed air to dry parts. Be sure parts, especially brake parts, are completely dry prior to reassembly.
- Turn unit "OFF" and close lid when equipment is not in use. This will reduce evaporation.

IMPORTANT SAFETY INSTRUCTIONS

1. Read all instructions.
2. Care must be taken as burns can occur from touching hot parts.
3. Do not operate equipment with a damaged cord or if the equipment has been dropped or damaged – until it has been examined by a qualified service person.
4. If an extension cord is necessary, a cord with a current rating equal to or more than that of the equipment should be used. Cords rated for less current than the equipment may overheat. Care should be taken to arrange the cord so that it will not be tripped over or pulled.
5. Always unplug equipment from electrical outlet when not in use. Never use the cord to pull the plug from the outlet. Grasp plug and pull to disconnect.
6. To reduce the risk of fire, do **NOT** operate equipment in the vicinity of open containers of flammable liquids (gasoline).
7. To reduce the risk of electric shock, do **NOT** use on wet surfaces or expose to rain.
8. Use only as described in this manual. Use only manufacturer's recommended attachments.
9. **ALWAYS WEAR PROPER PPE**
10. Do **NOT** operate any electrical equipment inside sink or vat.
11. Do **NOT** use light bulbs rated over 40 watts.
12. Do **NOT** smoke, eat or drink in the work area.
13. Do **NOT** modify these machines.
14. Do **NOT** operate this unit in any manner that will cause splashing or cause mist to form.
15. Use only the aqueous solution provided.
16. Adjust flexible nozzle or flow-thru brush so solution is directed to inside the sink only.
17. On the Control box, set the breaker switches to **OFF** before plugging in unit.
18. In any emergency, turn off the unit.
19. These parts washers employ a safety feature called a fusible link that holds the cover open during use. Do **NOT** modify, alter, or obstruct the operation of the fusible link.
20. Keep cover closed whenever unit is not in use.
21. Do **NOT** remove fluid from this equipment or it may cause malfunction or unsafe conditions.

SAVE THESE INSTRUCTIONS

SERVICE

- Call your representative should your parts cleaner need service and always unplug unit when servicing.
- Inspect and keep in good working order the power cord and all electrical components. If components show signs of damage or wear replace immediately. All work should be done by a trained technician.
- Do **NOT** replace pump before unplugging unit and letting it completely cool down.
- Do **NOT** replace fusible link with any other device to hold lid up. If fusible link should fail, for any reason, call your representative immediately.

INSTALLATION

- Position sink on a drum (use metal drum only) on a hard, level surface in a well-ventilated area. Mount module to back of sink. Align with studs and secure with 1/4-20 knobs supplied. Use lock down screw to secure sink to drum.
- Plug the cord from the control box into a properly grounded electrical source.

Power Requirements = 15 amp, 120 volt 60 Hz

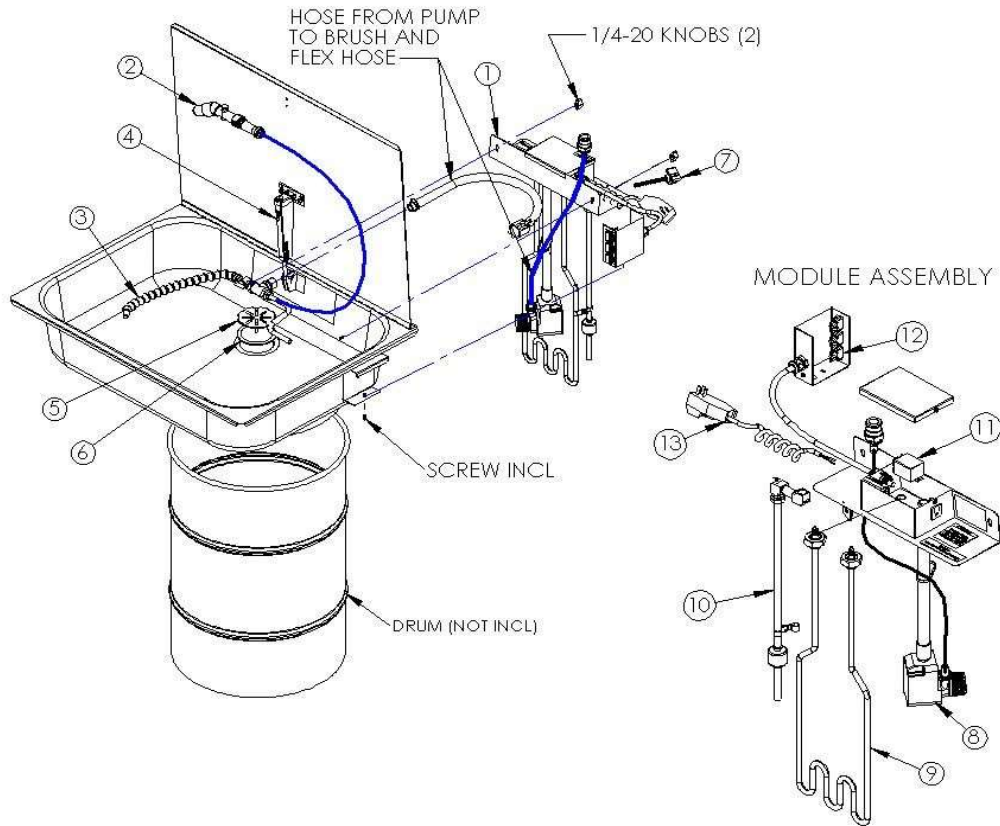
- Fill solution reservoir to the correct level. This equipment is designed for use only with Aqueous Based Solutions. Do **NOT** add any other chemicals to the cleaning agent including, but not limited to, kerosene, fuel oil, gasoline, or chlorinated solutions. The use of any other solutions could potentially cause a hazardous condition.

Capacity Model 2703 = 30 gal. (113.5 L.)

Minimum Level = 15 gal. (68.1 L.)

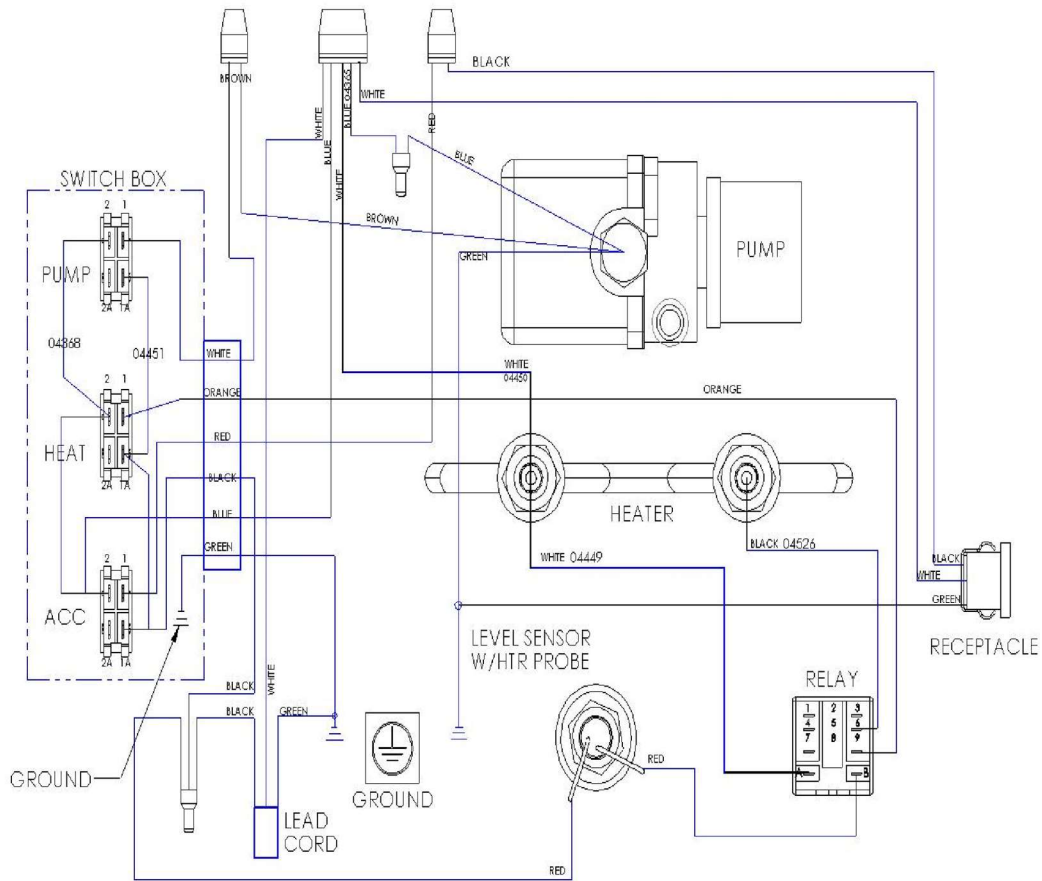
- Weight capacity for this parts cleaner is **75 lbs.**

MACHINE DIAGRAM



ITEM	2703	DESCRIPTION
1	61235	MODULE ASSY, PUMP/HTR
2	01067	BRUSH W/BUTTON
3	13-10164-01	FLEXIBLE HOSE
4	55449	DOOR CLOSURE
5	K8136	STRAINER, GRATE
6	K8135	STRAINER, FILTER
7	50345	SCREW, DRUM LOCK DOWN
8	04727	PUMP, 115V GP210
9	12-11505	HEATER, 1075W
10	04754	SENSOR, LEVEL/TEMP 122
11	04447	RELAY
12	12-11143-230	SWITCH, ROCKER
13	8850	POWER CORD

WIRING DIAGRAM



TROUBLESHOOTING

Machine does not operate:

- Make sure the parts cleaner is connected to electric power or air supply.
- Check for incoming power. Check serial plate for power requirements.
- On electric units: check reset button on GFCI cord to make sure it is not tripped. On air units: an increase in air supply may be required.

Cleaning fluid not to temperature:

- Check to make sure heater switch is turned "ON".

- Check fluid level in tank.
- Check to see if high temperature reset is tripped.

Little or no fluid flow thru the flow-thru brush:

- Turn pump switch "ON" or increase air pressure.
- Check the fluid level in the tank.
- Check pump intake for obstructions.

